



**WORLD'S BEST
ALLOY BULLBARS**

East Coast Bullbars (ECB Pty Ltd)

Tel: 07 3897 5700

Fax: 07 3283 1168

ecb@ecb.com.au www.ecb.com.au

29 Snook St
Clontarf QLD 4019
Australia

Po Box 122
Margate QLD 4019
Australia

BN58SY

REPLACES: 14.04.09

REVISED: 20.07.10

FITTING INSTRUCTIONS

NISSAN NAVARA D22 4WD 10/09on (THAI BUILT) BIG TUBE™ BULLBAR WINCH BAR FOR FITMENT WITH WARN 9000LB LOW MOUNT WINCH VEHICLE FRONTAL PROTECTION SYSTEM (VFPS) FOR AIR BAG & ADR COMPLIANT VEHICLES

Check installation hardware before commencing.

1. Remove bumper. One bumper stay (each side), one 12mm nut (each side) at side returns and two 17mm head bolts (each side) at front side of chassis.
2. Splice ECB indicator / park light wiring (supplied) into original indicator / park light wiring. Use cable locks (supplied).
3. Holding winch mount bracket (supplied) with fairlead roller section to the front of the vehicle, slide mounting bracket onto front of chassis rails (from front) with top welded section of chassis rail between fingers. Align slots in lower finger with captive nuts in vehicle.
4. Position the steel mounting brackets on chassis to outside of winch mounting bracket and insert four M10 x 40 x 1.25 bolts (two per side) (supplied) into chassis captive nuts and four 3/8 x 1 1/2 bolts, flat washers, spring washers and nuts (two per side) (supplied) from steel mounting brackets, through winch mounting bracket. **DO NOT TIGHTEN. See figures 1 and 2.**
5. Position roller fairlead on winch mount bracket. Use 3/8 x 1 1/4 bolts/nuts (supplied). Feed bolts from inside. **TIGHTEN IN CENTRE OF SLOT HOLES. See figure 3.**
6. Position winch in winch mounting bracket. Use original winch bolts with flat and spring washers (supplied). **DO NOT TIGHTEN. See figure 4. NOTE:** Feed cable through roller fairlead as installing.
7. Place 1/4 flat washers (supplied) over control box studs. Attach control box bracket to control box. Use original nuts with 1/4 flat washers (supplied). **DO NOT TIGHTEN.**
8. Attach control box wiring to winch.
9. Attach control box bracket to inside of winch mounting bracket. Use 3/8 x 1 1/4 bolts, nuts and washers (supplied). Align with grille and **TIGHTEN IN POSITION. See figure 4 & 5.**
10. Centralise winch and **TIGHTEN IN POSITION. CONNECT ALL WINCH CABLING and CHECK OPERATION OF WINCH.**
11. Fit ECB LED indicator / park lights (supplied) into protection bar as per instructions supplied with the LED indicator kit. **NOTE: Ensure park light is to outside. See figure 6.**
12. Attach the protection bar to the inside of the steel mounting brackets. Use the 1/2 x 1 1/2 bolts/nuts (supplied). **DO NOT TIGHTEN.**



**WORLD'S BEST
ALLOY BULLBARS**

East Coast Bullbars (ECB Pty Ltd)

Tel: 07 3897 5700

Fax: 07 3283 1168

ecb@ecb.com.au www.ecb.com.au

29 Snook St
Clontarf QLD 4019
Australia

Po Box 122
Margate QLD 4019
Australia

13. Diesel models – ensure oil cooler lines are clear of winch and winch mounting brackets on passenger side. Slide winch mounting bracket forward on slot holes or bend cooler bracket back slightly if necessary. **TIGHTEN** top winch mounting bracket bolts/nuts.
14. Align protection bar with vehicle ensuring steel mounting brackets are positioned correctly at lower tie down bracket area. **See figure 7. TIGHTEN** steel mounting brackets in position and winch plate and then protection bar.

NOTE: Leave approximately 10mm clearance between protection bar and guards when viewed from the side. This will allow for body movement in rough terrain. **See figure 8.**
15. Remove rubber damper mounts from bumper side returns. Fit back over original bumper mount stud on vehicle with steel cover at bottom (same as removed from bumper). Attach alloy angle (supplied) to bumper mount stud (use original nut) and to bracket welded to protection bar, use 3/8 x 1 ¼ bolt/nut/washers (supplied). **FINGER TIGHTEN ONLY. See diagram 1.**
16. Drill ½” holes through the chassis tie down points using the mounts as a guide and insert the ½ x 1 ½ bolts/nuts (supplied). **TIGHTEN ALL BOLTS. NOTE: TREAT BARE METAL WHERE HOLES ARE DRILLED.**
17. Attach steel support mounts (supplied) to underside of chassis. Use 40mm x 6mm round alloy spacer washers (supplied) between chassis and angle on support mount. Use M12 x 35 1.25mm bolts/washer (supplied). Use 3/8 x 1 ¼ bolts, nuts and washers (supplied) to secure to underside of winch mounting brackets. **DO NOT TIGHTEN. See figure 9.**
18. **TIGHTEN** steel support mounts, rubber damper mounts and alloy plates.
19. Recheck alignment of roller fairlead adjust if necessary.
20. Connect ECB indicator / park lights. **CHECK FOR CORRECT OPERATION.**

ENSURE NUMBER PLATE IS CLEARLY VISABLE

Note: When fitting/refitting the licence plate to the vehicle, ensure there is no obstruction to licence plate vision in accordance with local authorities. If required relocate licence plate to an alternate location.

Further VFPS Notes:

- a) Do not attach VFPS to the vehicle using anchorages not intended for this purpose (e.g. engine mounting bolts).
- b) Do not use this product for any vehicle make or model, other than those specified by the VFPS manufacturer.
- c) Do not remove the plaque or label from the VFPS.
- d) Do not modify the structure of the VFPS in any way.
- e) No accessory or fitment should project forward of the VFPS forward profile.
- f) **ENSURE THESE INSTRUCTIONS ARE LEFT WITH VEHICLE OWNER AND/OR OPERATOR.**



**WORLD'S BEST
ALLOY BULLBARS**

East Coast Bullbars (ECB Pty Ltd)

Tel: 07 3897 5700

Fax: 07 3283 1168

ecb@ecb.com.au www.ecb.com.au

29 Snook St
Clontarf QLD 4019
Australia

Po Box 122
Margate QLD 4019
Australia

FITTING KIT

2 – Steel mounting brackets.	4 – M10 x 40 x 1.25 bolts.
2 – Steel support mounts.	2 – 3/8 x 1 1/4 bolts/washers on 200mm wire.
1 – Winch mounting bracket.	14 – 3/8 x 1 1/4 bolts.
1 – Control box bracket.	16 – 3/8 nuts.
4 – 40mm round x 6mm alloy washers.	38 – 3/8 flat washers.
2 – Alloy angles.	24 – 3/8 spring washers.
10 – 1/2 x 1 1/2 bolt/nuts.	4 – 1/4 flat washers.
4 – M12x 35 x 1.25 bolts.	1 – ECB LED Indicator / Park light kit.
24 – 1/2 flat washers.	6 – Cable locks.
14 – 1/2 spring washers.	



Figure 1

M10 x 40 x 1.25 bolts.

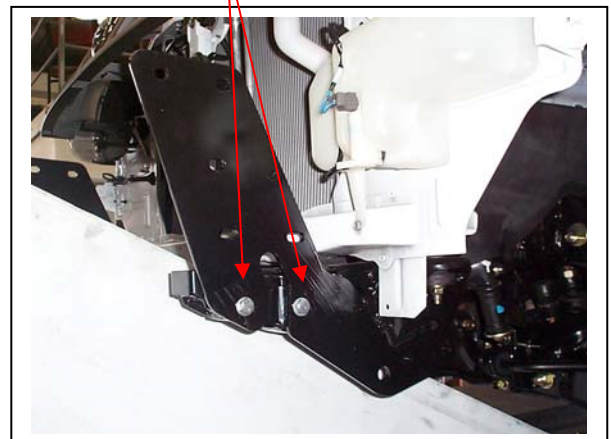


Figure 2



Figure 3



Figure 4



**WORLD'S BEST
ALLOY BULLBARS**

East Coast Bullbars (ECB Pty Ltd)

Tel: 07 3897 5700

Fax: 07 3283 1168

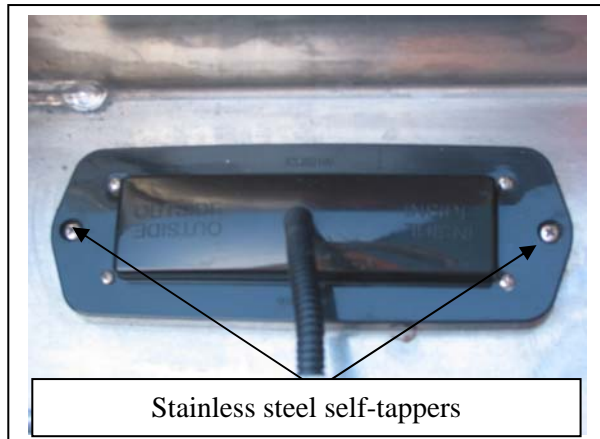
ecb@ecb.com.au www.ecb.com.au

29 Snook St
Clontarf QLD 4019
Australia

Po Box 122
Margate QLD 4019
Australia



Figure 5



Stainless steel self-tappers

Figure 6

Approximately 10mm clearance



Figure 7



Figure 8



Figure 9

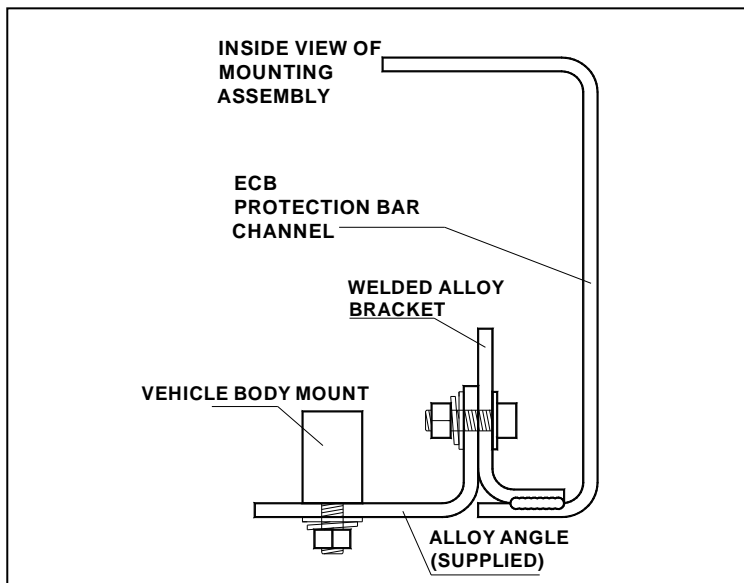


Diagram 1



**WORLD'S BEST
ALLOY BULLBARS**

East Coast Bullbars (ECB Pty Ltd)

Tel: 07 3897 5700

Fax: 07 3283 1168

ecb@ecb.com.au www.ecb.com.au

29 Snook St
Clontarf QLD 4019
Australia

Po Box 122
Margate QLD 4019
Australia

We value your comments

Dear Fitter,

ECB would like to know how you went with the installation of this product. We value your comment and may need to contact you to clarify some details so please complete your contact details clearly.

We would appreciate if you could complete as many of the following details as possible.

Your Name:	Your contact No.
Product Part No.	Product Invoice No.
Product Description:	Make, model, and year of vehicle:
Product Work Order No.	Company your from/Company product purchased from:

Date of Fitment: ____/____/____

Was the fitting hardware supplied complete?

Yes

No

If no what was not supplied

Did the installation go well?

Yes

No

Please provide comments

Please draw diagrams if you need to.

Post to
Reply Paid 122
PO Box 122
Margate QLD 4019

Fax to
(07) 3283 1168



**WORLD'S BEST
ALLOY BULLBARS**

East Coast Bullbars (ECB Pty Ltd)

Tel: 07 3897 5700

Fax: 07 3283 1168

ecb@ecb.com.au www.ecb.com.au

29 Snook St
Clontarf QLD 4019
Australia

Po Box 122
Margate QLD 4019
Australia



WORLD'S BEST
ALLOY BULLBARS

East Coast Bullbars (ECB Pty Ltd)

Tel: 07 3897 5700

Fax: 07 3283 1168

ecb@ecb.com.au www.ecb.com.au

29 Snook St
Clontarf QLD 4019
Australia

Po Box 122
Margate QLD 4019
Australia

DESPATCH CHECKLIST BN58SY

Work Order #	
Finish:	
Transport:	
Due Date:	

- 2 – Steel mounting brackets.
- 2 – Bent alloy support mounts.
- 1 – Winch mounting bracket. (Check measure, 742mm to 745mm out – out)
- 1 – Control box bracket.
- 1 – Bolt Kit.
- 1 – ECB LED Indicator / Park light kit.
- 2 – ECB Overriders – **Fitted to bar.**
- 2 – 6mm Air scoops – **Fitted to bar.**
- 2 – 3mm Air Scoops – **Fitted to bar.**

**See other side of
this page for
photos of all
mounts**



Is this product “the best it can be” Yes _____ / _____
Wrapper’s initials / Checker initials

If NO fix before continuing

All parts checked and completed by:

Nut and bolts: _____ Date __/__/__

Order control: _____ Date __/__/__

Final wrap check: _____ Date __/__/__



**WORLD'S BEST
ALLOY BULLBARS**

East Coast Bullbars (ECB Pty Ltd)

Tel: 07 3897 5700

Fax: 07 3283 1168

ecb@ecb.com.au www.ecb.com.au

29 Snook St
Clontarf QLD 4019
Australia

Po Box 122
Margate QLD 4019
Australia

