



INSTALLATION GUIDE

TOYOTA HIACE 05-19 ON

PN: BT189SY



BULLBAR

**VEHICLE FRONTAL PROTECTION SYSTEM (VFPS)
FOR AIR BAG & ADR COMPLIANT VEHICLES**

INDEX

PAGE 3 - 4

Installation Kit

PAGE 5

Stage 1 - Vehicle Testing and Preparation

Stage 2 - Top Radiator Cover

Stage 3 - Top Bumper Fixings

PAGE 6

Stage 4 - Electrics Disconnection

Stage 5 - Bumper Cover Removal

Stage 6 - Bumper Cover Removal

PAGE 7

Stage 7 - Bumper Cover Removal

Stage 8 - Air Dams

Stage 9 - Mounting Bracket Installation

PAGE 8

Stage 10 - Mounting Bracket Installation

Stage 11 - Bumper Trim

Stage 12 - Sensor Wiring

PAGE 9

Stage 13 - Remove Sonar Unit

Stage 14 - Remove Park/DRL Light

Stage 15 - Sonar Wiring

PAGE 10

Stage 16 - Air Dams

Stage 17 - Sonar Installation

Stage 18 - Park Sensor Installation

PAGE 11

Stage 19 - Light Wiring

Stage 20 - Indicator Fitment

Stage 21 - Clip Lock Trim

PAGE 12

Stage 22 - Protection Bar Fitment

Stage 23 - Connections, Checks and Testing

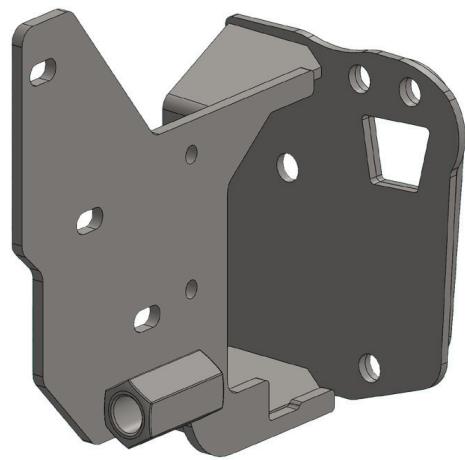
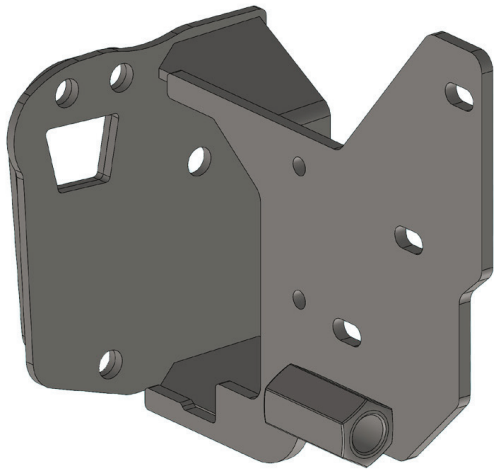
PAGE 13

Final Checks

INSTALLATION KIT

1 - Pair ECB Steel Mounting Brackets	2 - M6 X 30mm Bolts
1 - Pair Steel Support Brackets	2 - M6 X 20mm Bolts
2 - Alloy Sensor Brackets	16 - M6 Flat Washers
2 - ECB Tow Hooks	4 - M6 Nuts
6 - M12 X 1.75 X 40mm Bolts	4 - M6 Nyloc Nuts
12 - M12 Flat Washers	1 - Perspex Sonar Cover
6 - M12 Spring Washers	1 - Indicator/ Park/ Drl Kit
6 - M12 X 1.75 Nuts	1 - Quick Click Kit (IC15TOHLOIPDH)
2 - M10 X 1.5 X 85mm Bolts	1 - 2500mm Length 6mm Clip Lock
12 - M10 X 1.25 X 40mm Bolts	2 - 1200mm Lengths 3mm Clip Lock
18 - M10 Flat Washers	4 - 200mm Lengths Single Core Wire
14 - M10 Spring Washers	8 - Solder Joiners
2 - M10 X 1.5 Nut Plate On 200mm Wire	2 - 200mm Lengths 10mm Convoluted Tubing
4 - M10 X 1.25 Nuts	

INSTALLATION KIT



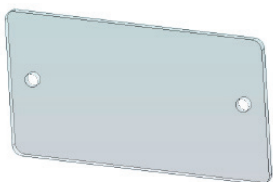
Pair ECB Steel Mounting Brackets
(YBT188) - **Fitted to Bar**



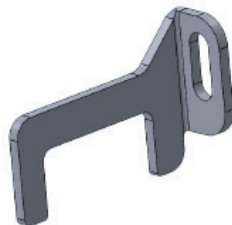
Steel Support Bracket
(YBT188_M6M - Left And Right)



2 x ECB Tow Hooks
(BT186_H10M Welded to M24 x 260mm bolt)
WITH INSTRUCTION TAG ATTACHED



Perspex Sonar cover
(BT186_A2PL)
IN BOLT KIT



2 x Alloy sensor brackets
(BT186_S3A)
IN BOLT KIT



M10 x 1.5 nut plate on 200mm wire
(BT188_NP6M with M10 x 1.5 nut on wire)

TOYOTA HIACE 05-19 ON

STAGE 1 - VEHICLE PREPARATION

Test drive vehicle to ensure all driver assists are correctly working and to gauge effectiveness.

Park on a flat level surface.

Apply parking brake and lift bonnet.

Unwrap ECB Protection Bar and disconnect mounts.
Discard bolts.



STAGE 2 - TOP RADIATOR COVER

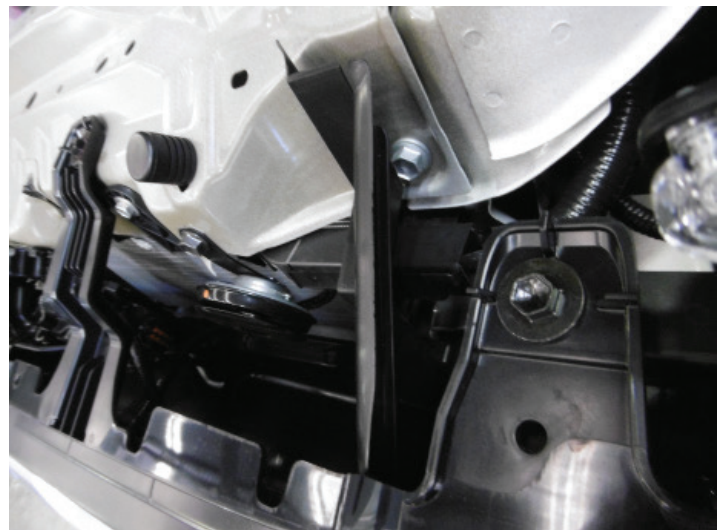
Remove top cover from grille, nine (9) x push pull plugs.



STAGE 3 - TOP BUMPER FIXINGS

Remove three (3) x 10mm head bolts beside headlight and centre of grille and four (4) x 10mm head bolts top of grille.

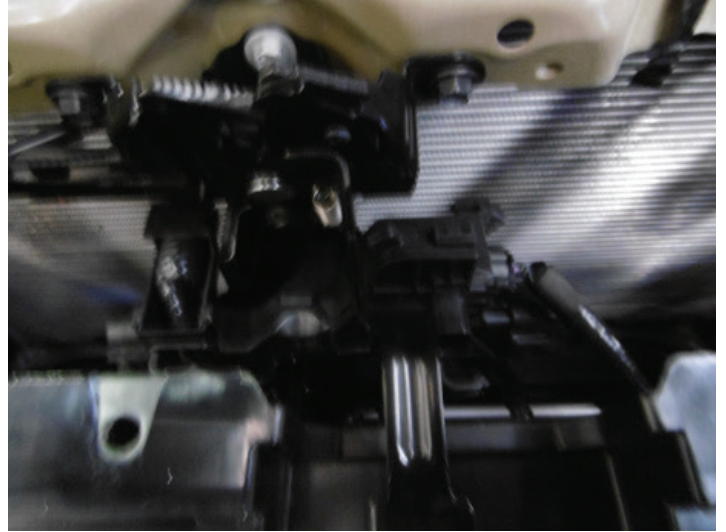
Pull up on clips beside headlight and pull bumper forward slightly.



BT189SY

STAGE 4 - ELECTRICS DISCONNECTION

Disconnect parking sensors and sonar next to bonnet latch. Three (3) x connectors, two (2) x near upright and one (1) x rear of sonar unit.



STAGE 5 - BUMPER COVER REMOVAL

Underside of vehicle remove fourteen (14) x push pull plugs, two (2) x 10mm head screws and four (4) x 10mm head bolts.

Remove under belly guard.



STAGE 6 - BUMPER COVER REMOVAL

From inside wheel arch remove one (1) x push pull plug. Gently pull side guard away from vehicle.

CAUTION: Catch area at side of bumper can be easily ripped away from the bumper skin. Care is required.



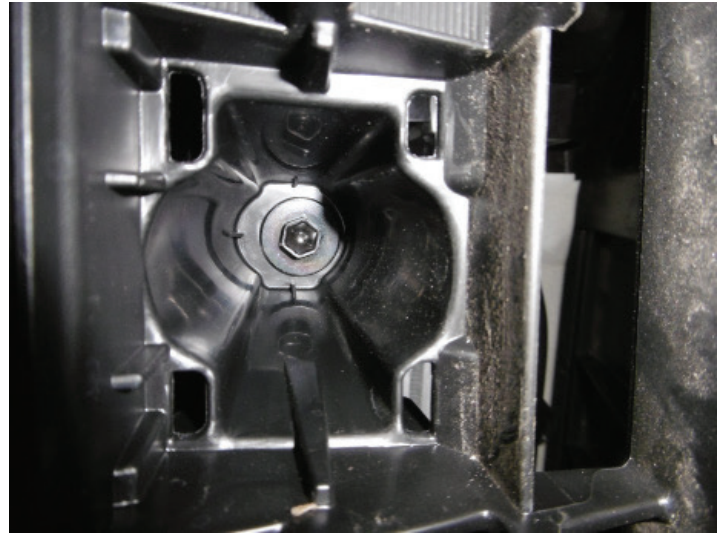
TOYOTA HIACE 05-19 ON

STAGE 7 - BUMPER COVER REMOVAL

Lower grille remove tow point covers, unclip lower section by pushing down on clips and remove cover.

Remove two (2) x 10mm head bolts.

Carefully remove plastic bumper.



STAGE 8 - AIR DAMS

Remove foam from bumper support.

Remove upper and lower air dams two (2) x push pull clips either side of centre air dam, side air dams gently pull away from vehicle.



STAGE 9 - MOUNTING BRACKET INSTALLATION

Remove cross-member from vehicle.

Fold hanger clips away from vehicle and as flat as possible to mounting area.

Slide ECB steel mounting bracket (supplied) to bumper support.

Install inner mounting brackets to steel mounts using M10 x 1.25 x 40 bolts, flat washers, spring washers and nuts. **Finger tighten only.**

Fit to tow pin hole in vehicle cross member using M10 x 1.5 x 85mm bolt, flat washer, spring washer and plate with nut on wire inside crush can from rear. Cut wire or wind into rear of crush can.



BT189SY

STAGE 10 - MOUNTING BRACKET INSTALLATION

Refit and secure to vehicle using four (4) x M10 x 1.25 x 40mm bolts, flat washers and spring washers.

Finger tighten only.

Measure inner mounting brackets of Protection Bar and outer of ECB steel mounting brackets.

Align mounts and tighten all bolts.



STAGE 11 - BUMPER TRIM

Find template (supplied) with this instruction, check measure to ensure correct sizing.

Using a sharp pair of scissors, cut template (supplied) and join where required.

Mask up area to be cut to avoid any damage. Mark cut lines using template and ensure lines are straight and correct.

Trim bumper using a jigsaw or similar.



STAGE 12 - SENSOR WIRING

Remove parking sensors from bumper.

Extend wiring using solder joiners and single core wire 200mm (supplied). Place wiring through bumper as extending.

Place exposed wiring into convoluted tubing (supplied).

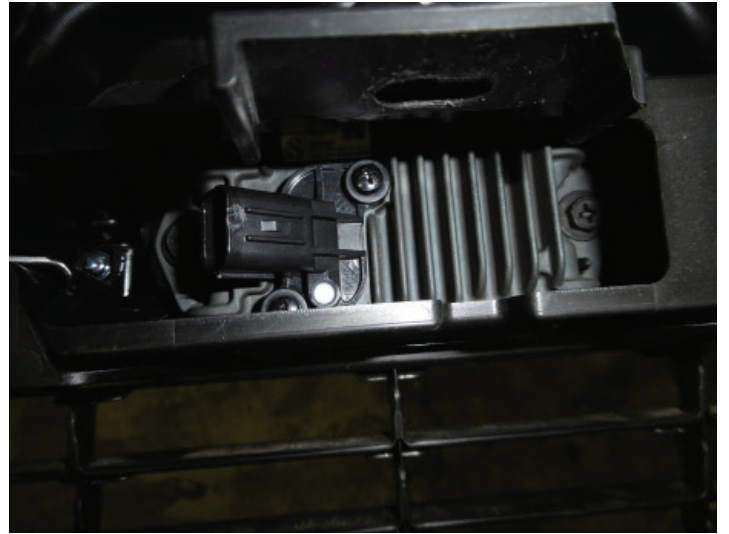


TOYOTA HIACE 05-19 ON

STAGE 13 - REMOVE SONAR UNIT

To remove sonar from bumper, unclip grille from bumper, remove three (3) x Phillips head screws, one (1) x each side of sonar and one (1) x centre of grille.

Remove two (2) x 10mm head bolts and one (1) x screw from back of sonar.



STAGE 14 - REMOVE PARK/DRL LIGHT

Remove Park light/DRL's from bumper, five (5) x Phillips head screws.

Should bumper Park light/DRL's not be present in the bumper, drill hole mid way down the blanking area large enough to fit wiring harness.

This is to allow access for fog light and indicator DRL harness.



STAGE 15 - SONAR WIRING

Unclip junction box just under bonnet release and redirect sonar wiring out of opposite site of box, re-clip box once done.

Remove tape to allow full harness length.

Feed harness through vents in bumper when refitted.



BT189SY

STAGE 16 - AIR DAMS

Refit air dams. Trim lower section of air dam as per picture.

In reverse of steps 2 to 8, reassemble grille and bumper. **Do not** refit under belly guard at this stage.



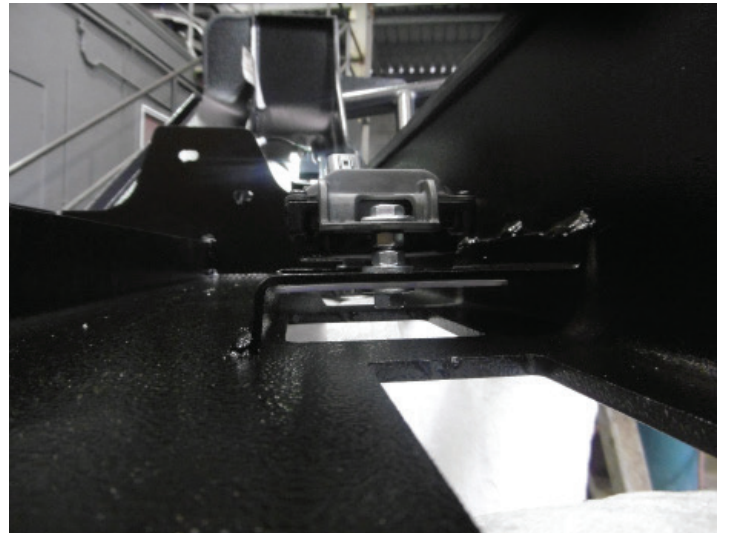
STAGE 17 - SONAR INSTALLATION

Fit sonar unit and plastic cover, place two (2) x M6 x 30mm bolts, flat washers through sonar unit from rear, flat washer and nuts (supplied).

Tighten all bolts.

Place nut and washer (supplied) on each bolt.

Fit to Protection Bar as per picture. Place plastic cover on front and secure using flat washers and Nyloc nuts (supplied).



STAGE 18 - PARK SENSOR INSTALLATION

Fit parking sensors to Protection Bar using brackets supplied, M6 x 20mm bolts, flat washers and Nyloc nuts (supplied).

CAUTION: light pressure only is required. Excessive pressure will cause false readings from sensor.



TOYOTA HIACE 05-19 ON

STAGE 19 - LIGHT WIRING

Disconnect indicator and parking lights on vehicle. Install ECB quick click wiring harnesses (supplied) between disconnected harness and indicator/park lights on vehicle. Run wiring out from under lights ensuring clearance from sharp edges and moving parts.

STAGE 20 - INDICATOR FITMENT

Fit ECB LED indicator/park lights into protection bar as per instructions supplied with the LED indicator kit.

NOTE: Ensure park light is to top.

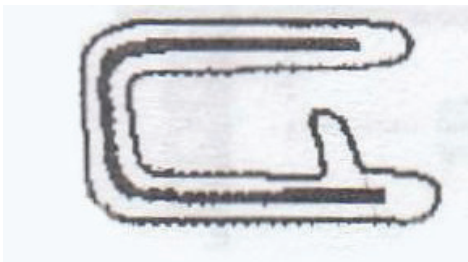


STAGE 21 - CLIP LOCK TRIM

Attach 6mm clip lock trim (supplied) to top of ECB protection bar.

NOTE: Trim off lower edge on an angle so trim will sit flush with end of protection bar.

Install 3mm clip lock to lower vents . Place join at top in centre.



BT189SY

STAGE 22 - PROTECTION BAR FITMENT

Fit protection bar to vehicle using six (6 x) M12 x 1.75 x 40mm bolts, flat washers, spring washers and nuts (supplied).

Align Protection Bar with vehicle.

TIGHTEN ALL BOLTS.

Connect parking sensors and sonar.

Check fit of tow hooks to ensure fitment to skirt.

Refit under belly guard.



STAGE 23 - CONNECTIONS, CHECKS AND TESTING

Test Indicators/park/DRL lights, bumper lights, parking sensors and sonar for correct operation.

Test drive vehicle to ensure all driver assists perform as per before installation.

Place tow hooks into tool kit of vehicle. **Customer must be informed of tow hook placement in vehicle.**

FINAL CHECKS

ENSURE NUMBER PLATE IS CLEARLY VISIBLE

Note: When fitting/refitting the licence plate to the vehicle, ensure there is no obstruction to licence plate vision in accordance with local authorities. If required relocate licence plate to an alternate location.

FURTHER VFPS NOTES

1. Do not attach VFPS to the vehicle using anchorages not intended for this purpose (e.g. engine mounting bolts)
2. Do not use this product for any vehicle make or model, other than those specified by the VFPS manufacturer
3. Do not remove the plaque or label from the VFPS
4. Do not modify the structure of the VFPS in any way
5. No accessory or fitment should project forward of the VFPS forward profile

IMPORTANT INFORMATION

Periodically check bolts and nuts for correct tightness, especially if traveling on rough roads.



1800 069 145
WWW.ECB.COM.AU
29 SNOOK ST CLONTARF, QLD 4019

REPLACES: 26.06.19
REVISED: 02.07.24