



INSTALLATION GUIDE

UD QUON 2025 ON

PN: B4UD5013TSYF



**VEHICLE FRONTAL PROTECTION SYSTEM (VFPS)
FOR AIR BAG & ADR COMPLIANT VEHICLES**

INDEX

INSTALLATION KIT BULLBAR.....	3
STAGE 1 – VEHICLE PREPARATION.....	5
STAGE 2 – TILT CAB	5
STAGE 3 – WIRING HARNESS.....	5
STAGE 4 – WIRING HARNESS CONT'D	6
STAGE 5 – SIDE BUMPER REMOVAL	6
STAGE 6 – INFILL PANEL REMOVAL.....	6
STAGE 7 – BUMPER REMOVAL.....	7
STAGE 8 – BUMPER SUPPORTS.....	7
STAGE 9 – SONAR COVER	7
STAGE 10 – REMOVE SONAR.....	8
STAGE 11 – HARNESS REMOVAL	8
STAGE 12 – REMOVE HEADLIGHTS	8
STAGE 13 – REMOVE FOG LIGHTS.....	9
STAGE 14 – HEADLIGHT INSTALLATION	9
STAGE 15 – FOG LIGHT INSTALLATION.....	10
STAGE 16 – TOW HOOK	10
STAGE 17 – CHASSIS RAIL.....	10
STAGE 18 – MOUNT FITMENT.....	11
STAGE 19 – WIRING HARNESS BLOCK	11
STAGE 20 – WIRING HARNESS	11
STAGE 21 – SONAR MOUNTING.....	12
STAGE 22 – SONAR FITMENT	12
STAGE 23 – INDICATOR/ PARK/ DRL LIGHTS.....	12
STAGE 24 – PROTECTION BAR FITMENT.....	13
STAGE 25 – LIGHT WIRING EXTENSIONS	13
STAGE 26 – SONAR ADJUSTMENT	13
STAGE 27 – LIGHT ADJUSTMENT	14
STAGE 28 – TOW PINS	14
STAGE 29 TILT STICKER.....	14
STAGE 30 – FINAL CHECKS.....	14

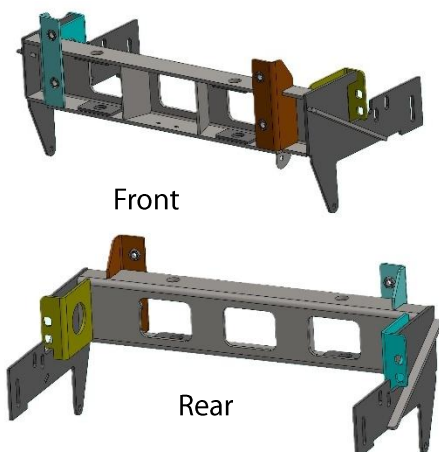
INSTALLATION KIT

INSTALLATION KIT BULLBAR

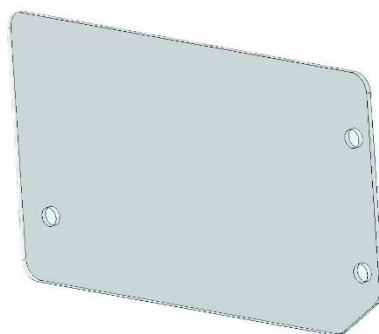
1	- Steel Mount	8	- M10 x 1.5 x 70mm Bolts
2	- Side Mount Washer Plates	32	- M10 Flat Washers
2	- Front Mount Washer Plates	16	- M10 x 1.5 Nuts
1	- Sonar Mounting Bracket	8	- M10 x 1.5 Nyloc Nuts
1	- Wiring Box Mounting Bracket	2	- M8 x 25mm Bolts
2	- 370mm Tow Pins	4	- M8 Flat Washers
2	- M33 x 60 x 5 Nylon Tow Pin Washer	2	- M8 Nyloc Nuts
4	- Eye Bolts	6	- M6 x 25mm Black Button Head Allen Screws
4	- 3/4x1 1/2x14g Washers	12	- M6 x 16mm Black Button Head PK Screws
2	- 5/8 x 2 1/2 Bolts	36	- M6 Black Flat Washers
4	- 5/8 Flat Washers	18	- M6 Nyloc Nuts
2	- 5/8 Nyloc Nuts	1	- ECB Indi/Park/DRL
8	- M14 x 2 x 75mm Bolts	26	- 200mm Lengths Single Core Wire
16	- M14 Flat Washers	52	- Solder Joiners
8	- M14 x 2 Nyloc Nuts	6	- 250mm Lengths Convoluted Tubing
1	- M12 x 1.75 x 90mm Bolts	10	- 300mm Zip Ties
3	- M12 x 1.75 x 65mm Bolts	1	- Plastic Sonar Cover
6	- M12 Flat Washers	2	- Tilt Stickers
2	- M12x1.75 Nuts		

TORQUE LIST -

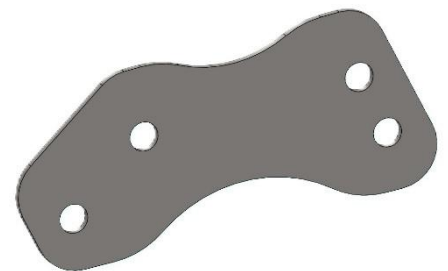
Diameter	Thread Pitch	Recommended Assembly Setting	
M14	2	122Nm	90 lbf. ft
M12	1.75	77 Nm	56.8 lbf. ft
M10	1.5	44 Nm	32.5 lbf. ft
M8	1.25	22Nm	16. lbf. ft
M6	1	7 Nm	5 lbf. ft



Steel mounting Bracket

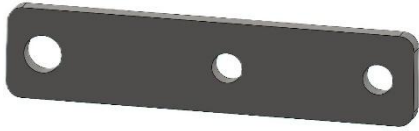


Sonar cover



Side Mounting Washer Plate

UD QUON 2025 ON



Wiring box Mounting Bracket



Front Mount Washer Plates



Sonar Mounting Bracket



Tow Pin

STAGE 1 - VEHICLE PREPARATION

Test drive vehicle to ensure all driver assists are correctly working and to gauge effectiveness. Park on a flat level surface. Apply parking brake and lift bonnet. Unwrap ECB Protection Bar and disconnect mounts. Discard bolts. Ensure these instructions are left with the vehicle owner and/or operator.



STAGE 2 - TILT CAB

Tilt cab, refer to instructions rear of left-hand side of cab on outer guard.

CAUTION: Ensure all items in cabin are secure. Items not secure will do damage to internal trims and possibly windscreen of vehicle



STAGE 3 - WIRING HARNESS

Disconnect wiring harness, which is at the top and front of bumper. Remove computer from top of FUPS mount two (2) 10mm_bolts

(DO NOT DROP)



UD QUON 2025 ON

STAGE 4 - WIRING HARNESS CONT'D

Remove computer from top of FUPS mount two (2) 10mm bolts

(DO NOT DROP)



STAGE 5 - SIDE BUMPER REMOVAL

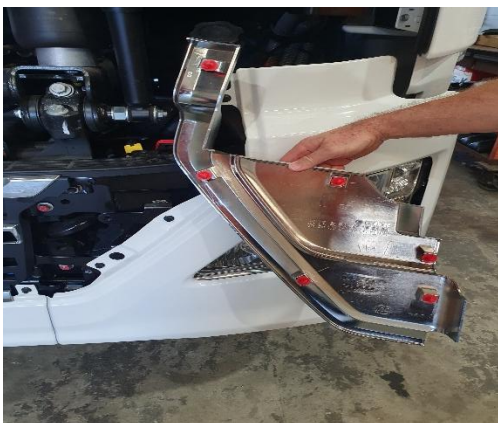
Outer inner bumper supports, remove three (3) 10mm bolts per side.

Tilt cab, as per instructions.



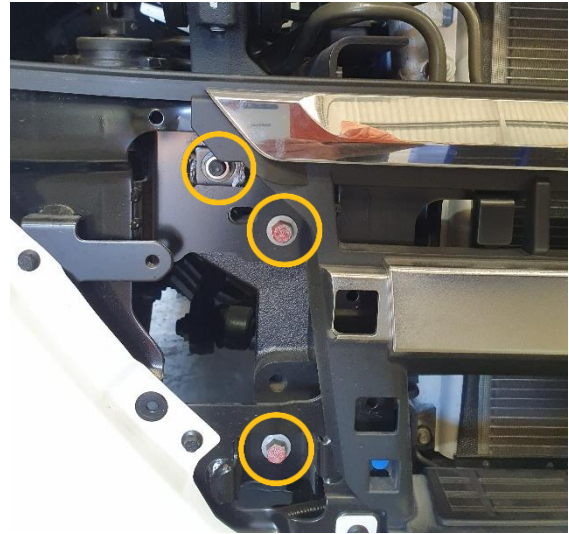
STAGE 6 - INFILL PANEL REMOVAL

Gently remove infill from front of bumper by pulling away from vehicle, each side



STAGE 7 - BUMPER REMOVAL

Centre of bumper remove four (4) 15mm head bolts and two (2) 18mm head nuts. To remove bumper, gently pull bumper forward, recommended two-person lift.



STAGE 8 - BUMPER SUPPORTS

Remove bumper supports from each outer side of FUPS mount, two (2) 10mm head bolts per side.



STAGE 9 - SONAR COVER

Remove sonar cover, gently pull corners to release clips.



UD QUON 2025 ON

STAGE 10 – REMOVE SONAR

Disconnect sonar.
Remove four (4) 10mm head bolts and remove.
Place sonar in safe place as not to get damaged.



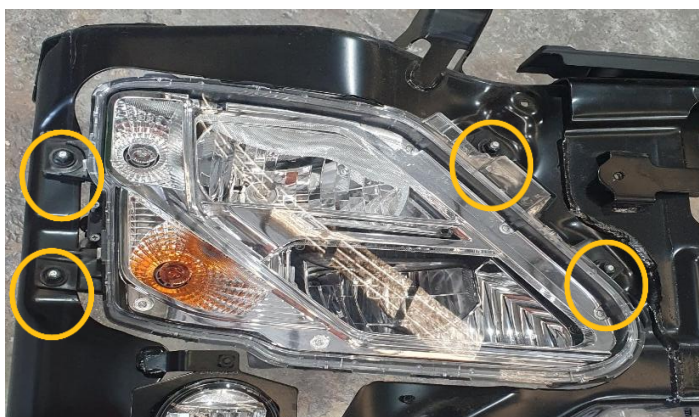
STAGE 11 – HARNESS REMOVAL

Remove harness from bumper, unplug all lights
Unclip harness from bumper.



STAGE 12 – REMOVE HEADLIGHTS

Four (4) 12mm nuts per head light, remove light
from bumper.

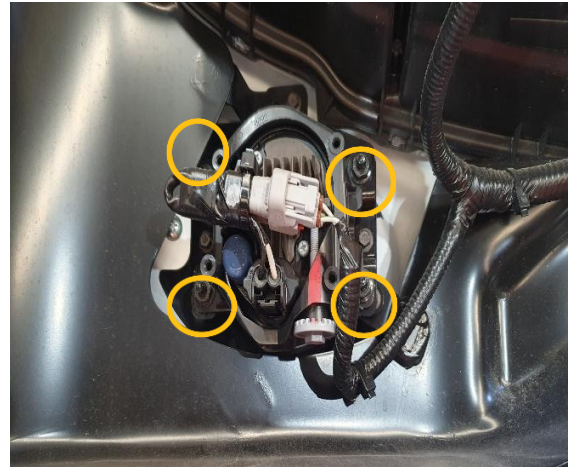


STAGE 13 - REMOVE FOG LIGHTS

Remove outer retaining bracket, three (3) 7mm bolts.

Remove fog light from bumper.

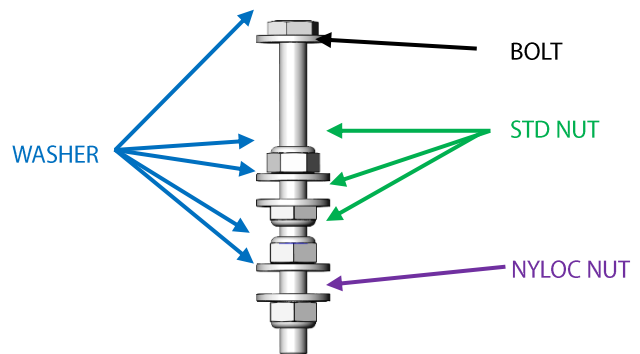
Remove light from bracket, four (4) 10mm nuts.



STAGE 14 - HEADLIGHT INSTALLATION

Install headlights into Protection Bar using four (4) M10 x 70mm bolts, nuts, flat washers and Nyloc nuts. Finger tighten only for alignment.

NOTE: bolts are installed in such a way as to allow for alignment of the headlight. Do not bolt headlight to mount without adjustable section incorporated.



UD QUON 2025 ON

STAGE 15 – FOG LIGHT INSTALLATION

Install fog lights into Protection Bar, four (4) black M6 x 16mm black button Allen head screws, black flat washers and Nyloc nut. Per light.



STAGE 16 – TOW HOOK

Remove tow hook left hand side, two (2) 24mm head bolts.



STAGE 17 – CHASSIS RAIL

Remove four (4) 18mm head bolts per side of rail.



STAGE 18 – MOUNT FITMENT

Fit steel mount to chassis using eight (8) M14 x 2 x 75mm bolts, flat washers, four-hole mount washer plate and M14 Nyloc nuts. Finger tighten only. Secure front of mount to chassis rail using one (1) M12 x 1.75mm x 65 bolt, flat washer, two-hole washer plate (per side) in lower hole. On driver side only, fit one (1) M12 x 1.75mm x 65 bolt, flat washer, and M12 x1.75 nut with bolt from rear to front. Finger tighten only.



STAGE 19 – WIRING HARNESS BLOCK

On left hand top bolt fit relocation mount for wiring harness block. Secure with M12 x 1.75 x 90mm bolt, flat washer M12 x 1.75 nut with bolt from rear to front.

Using bracket, secure wiring harness block using two (2) M8 x 25mm bolts, flat washers and Nyloc nuts.

Align mount so square and level. Tighten bolts on front of chassis rail then side bolts.



STAGE 20 – WIRING HARNESS

Feed wiring harness across rear of steel mount and loosely attach to the front of cross member with zip ties.

Feed sonar harness through rear of vent.



UD QUON 2025 ON

STAGE 21 – SONAR MOUNTING

Mount sonar to mounting bracket using four (4) M6 x 25mm black Allen head button screw, black washers and Nyloc nuts.

Align and tighten bolts.

Fit plastic protection cover M6 x 16m black button allen head bolts, black washers and Nyloc nuts.

Previous models use three bolts.



STAGE 22 – SONAR FITMENT

Fit sonar bracket to steel mount. Two M6 x 25mm black button Allen head screws, black washers and Nyloc nuts.

Finger tighten bolts at this stage, tighten bracket once Protection Bar is fitted and aligned.



STAGE 23 – INDICATOR/ PARK/ DRL LIGHTS

Fit ECB LED indicator/park lights into Protection Bar as per instructions supplied with the LED indicator kit.



STAGE 24 – PROTECTION BAR FITMENT

Mount Protection Bar to truck.

Align four front holes using eye bolts and secure Protection Bar using eyebolts supplied. Do not tighten.

Using two (2) 5/8 x 2 ½ bolts washers and Nyloc nuts, secure Protection Bar to truck at hinge points, tighten till flat washers touch alloy only. Does not need to be done up tight.



STAGE 25 – LIGHT WIRING EXTENSIONS

Remove eyebolts and gently pull bar forward.

Extend wiring harness using 300mm wire and solder joiners. Place wiring in convoluted tubing. Tape wiring harness to match original equipment harness.

Incorporate indicator wiring into wiring extensions.

Connect lights and zip tie harness into position.

STAGE 26 – SONAR ADJUSTMENT

Lift Protection Bar into position, place two (2) eye bolts in holes to hold into position.

Place sonar into position as close as possible to rear of Protection Bar so there is no contact between plastic cover and rear of Protection Bar.

Lower Protection Bar and tighten sonar bolts.

UD QUON 2025 ON

STAGE 27 – LIGHT ADJUSTMENT

Align lights using adjustable bolts at rear of lights. Lights need to be adjusted level and straight.

Tighten all bolts.

NOTE: Minor adjustments can be made on rear of light assembly.



STAGE 28 – TOW PINS

Lift Protection Bar into position and secure with four (4) eye bolts. Place tow pins in position top of protection bar.



STAGE 29 TILT STICKER

Place tilt sticker on rear left hand side of cabin next to tilt lock, so operator can see it.

STAGE 30 – FINAL CHECKS

Check all light and safety features are working correctly.

PN: B4UD5013TSYF



UD QUON 2025 ON

ENSURE NUMBER PLATE IS CLEARLY VISIBLE

NOTE: When fitting/refitting the licence plate to the vehicle, ensure there is no obstruction to licence plate vision in accordance with local authorities. If required relocate licence plate to an alternate location.

FURTHER VFPS NOTES

1. Do not attach VFPS to the vehicle using anchorages not intended for this purpose (e.g. engine mounting bolts)
2. Do not use this product for any vehicle make or model, other than those specified by the VFPS manufacturer
3. Do not remove the plaque or label from the VFPS
4. Do not modify the structure of the VFPS in any way
5. No accessory or fitment should project forward of the VFPS forward profile

IMPORTANT INFORMATION

Periodically check bolts and nuts for correct tightness, especially if traveling on rough roads.



1800 069 145
WWW.ECB.COM.AU
29 SNOOK ST, CLONTARF QLD 4019

REPLACES: 00.00.00
REVISED: 28.11.25