



INSTALLATION GUIDE

ISUZU NPS 300 4x4 2024 ON

**PN: B3AVIS4459TSY
& B3AVIS4461TSY**



WINCH BULLBAR

**VEHICLE FRONTAL PROTECTION SYSTEM (VFPS)
FOR AIR BAG & ADR COMPLIANT VEHICLES**

INDEX

PAGE 3

Installation Kit

PAGE 4

Stage 1 - Vehicle Testing And Preparation

Stage 2 - Remove Bumper

Stage 3 - Tow Hook and Earth Strap

PAGE 5

Stage 4 - Relocate Horn

Stage 5 - Remove Grille

Stage 6 - Indicator Housing

PAGE 6

Stage 7 - Indicator Housing

Stage 8 - Indicator Wiring

Stage 9a - Winch Frame

PAGE 7

Stage 9b - Winch Frame

Stage 10 - Chassis Mount - Driver's Side

Stage 11 - Chassis Mount - Passenger Side

PAGE 8

Stage 12 - Bullbar Fitment

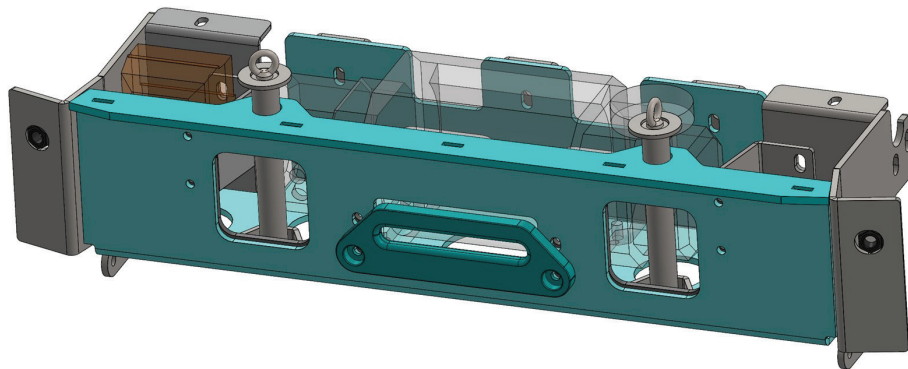
Stage 13 - Tow Pins

PAGE 9

Final Checks

INSTALLATION KIT

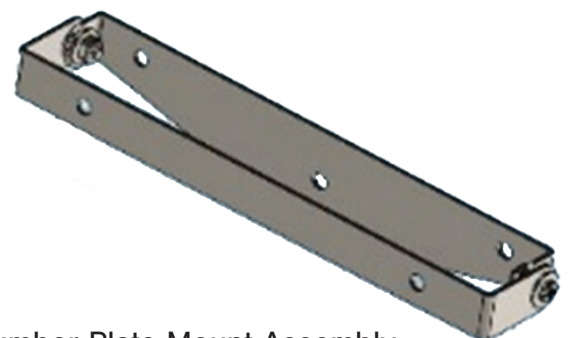
| | |
|--|---|
| 1 - Chassis Mount / Winch Frame Assembly | 1 - M14 x 1.5 Nut |
| 3 - Backing Plates (75 x 75 x 8mm Fms) | 3 - M14 Flat Washers |
| 2 - 280mm Tow Pins | 3 - M14 Spring Washers |
| 1 - Number Plate Bracket Part A (Assembled With B) | 2 - M8 x 1.25 x 30mm Hex Bolt |
| 1 - Number Plate Bracket Part B (Assembled With A) | 2 - M8 Flat Washer |
| 2 - Tow Pin Nylon Washers | 2 - M8 Spring Washer |
| 8 - M10 x 1.25 x 35mm Hex Bolts | 4 - M6 x 1.0 x 20 Hex Bolts (For Number Plate Mount Assembly) |
| 4 - M10 x 1.25 Nuts | 4 - M6 x 1.0 Nyloc Nuts (For Number Plate Mount Assembly) |
| 12 - M10 H/D Flat Washers | 8 - M6 Flat Washers |
| 8 - M10 Spring Washers | 1 - Pair Indicator / Park Lights (ICLED104BLK) |
| 4 - M12 x 1.25 x 50mm Hex Bolt | 6 - Scotch Locks |
| 8 - M12 H/D Flat Washer | 2 - 700mm Length Single Core Wire |
| 4 - M12 Spring Washer | 2 - Straight Through Crimp Joiners |
| 4 - M12 x 1.25 Nuts | 4 - Long Cable Ties |
| 2 - M14 x 1.5 x 50mm Hex Bolts | 1 - Cab Tilt Sticker |



Steel Mount



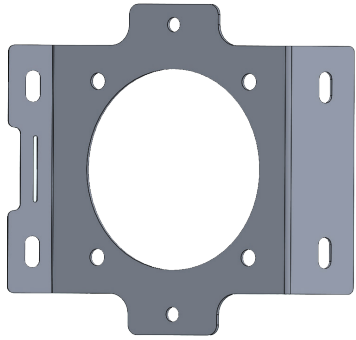
75 x 75 x 6mm Flat



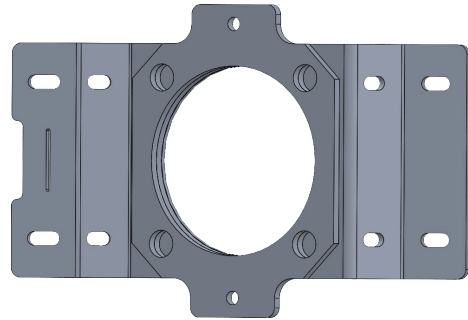
Number Plate Mount Assembly

- Number Plate Hinge Plate A
- Number Plate Hinge Plate B

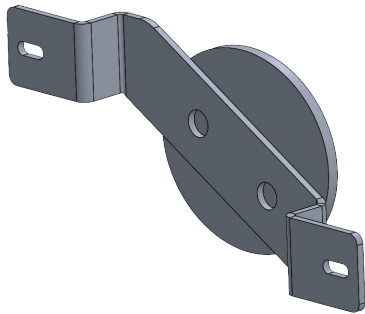
INSTALLATION KIT



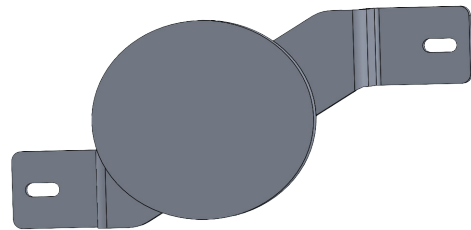
2MM Narva Light Mount



Narva Light Mount



Light Recess Blanking Plate



Light Recess Blanking Plate
Rear



Towpin

ISUZU NPS 300 4x4 2024 ON

STAGE 1 - VEHICLE PREPARATION

Test drive vehicle to ensure all driver assists are correctly working and to gauge effectiveness.

Park on a flat level surface.

Apply parking brake.

Unwrap ECB Protection Bar and disconnect mounts.
Discard bolts.

Check installation hardware and read fitting instructions before commencing.



STAGE 2 - REMOVE BUMPER

Remove four (4) x bolts retaining the bumper bar.

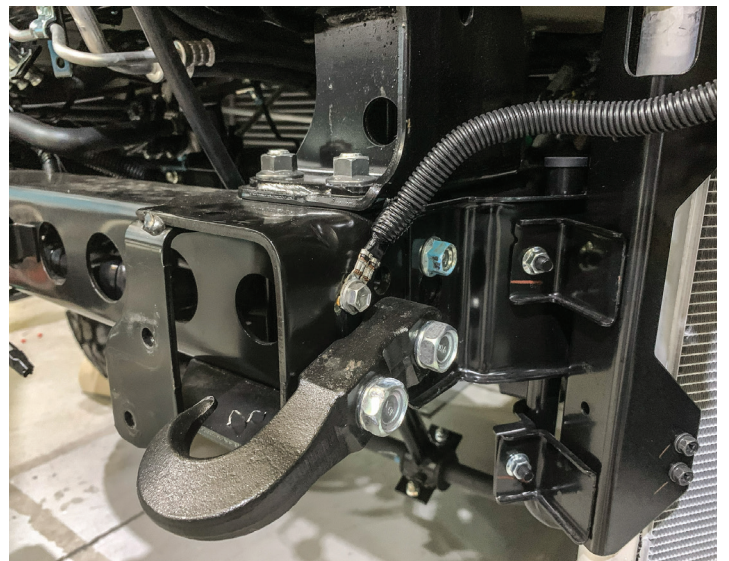
Discard the bumper and bolts.



STAGE 3 - TOWHOOK AND EARTH STRAP

Remove the earth straps, and retain fastener.

Remove and discard the tow hook and fasteners.



B3AVIS4461TSY

STAGE 4 - RELOCATE HORN

Relocate the horn to under the front cross member using the original fastener.



STAGE 5 - REMOVE GRILLE

Release the screw from the centre and gently push down five (5) x clips to remove the grille.

Retain grille and fasteners.

Remove and retain screw.



STAGE 6 - INDICATOR HOUSING

Release two (2) x screws from the indicator housing.

Open each door to gain access to the screws inside each door opening, the screws will remain in the vehicle body.



ISUZU NPS 300 4x4 2024 ON

STAGE 7 - INDICATOR HOUSING

Release and retain the rubber flap below the headlight.

Release the bolts retaining the indicator and headlight each side, retain the fasteners for refitting.

Support the headlight and locate the wiring harness at the rear of the headlight assembly and release the connector.

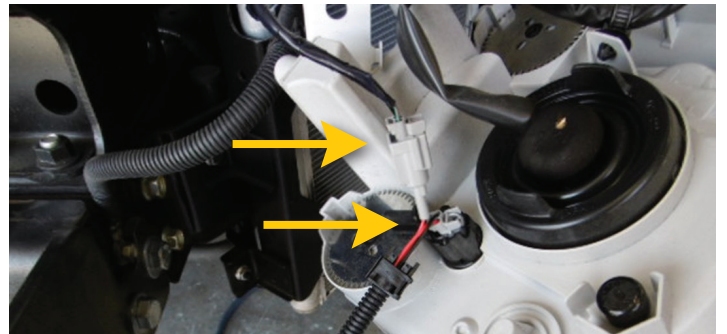


STAGE 8 - INDICATORS WIRING

Splice the supplied indicator wiring harness extension into the light then the vehicle harness to the extension connector.

Replace the indicators and headlights, fasten the original fastener, replace the rubber flaps below the headlights.

Replace the grille using the original fasteners.



STAGE 9A - WINCH FRAME

Position the winch frame on the vehicle chassis, fasten lightly using M10 x 1.25 x 35 bolts, flat and spring washers and nuts on the top (each side).

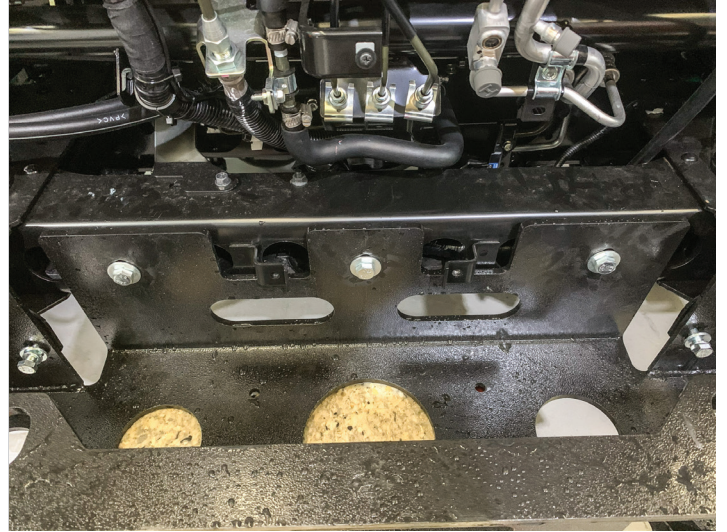
Fasten lightly using M10 x 1.25 x 35 bolts, flat and spring washers into the vehicle captive nuts.



B3AVIS4461TSY

STAGE 9B - WINCH FRAME

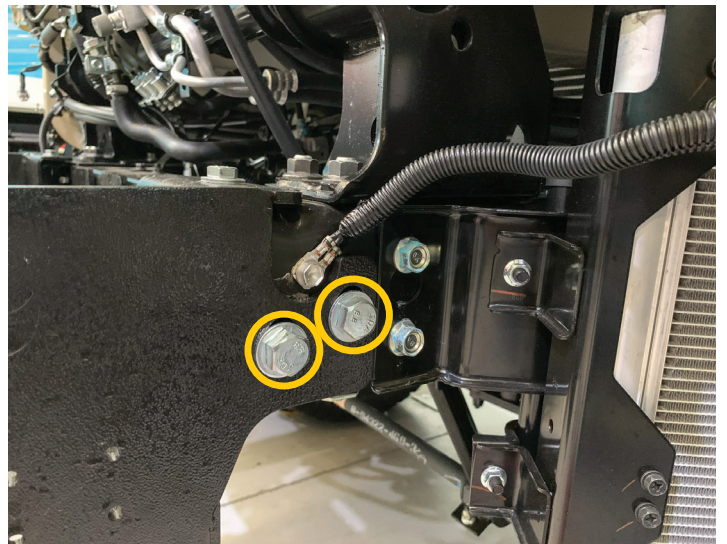
Fasten lightly using three (3) M12 x 1.25 x 50 bolts, 75 x 75 x 6mm backing plates, flat and spring washers and nuts across the rear of the winch frame.



STAGE 10 - CHASSIS MOUNT - DRIVER'S SIDE

Fasten passenger side chassis mount lightly using M14 x 1.5 x 50 bolt, flat and spring washer into the vehicle captive nut on the rear hole and M14 x 1.5 x 50 flat and spring washer and nut on front hole.

Re-attach the earth strap using the original fastener.



STAGE 11 - CHASSIS MOUNT - PASSENGER SIDE

Fasten lightly driver side mount using M12 x 1.25 x 50 bolt, flat and spring washer and nut.

Re-attach earth strap using M8 x 1.25 x 30 bolt, flat and spring washer.

Tighten all chassis mount fasteners fully.

NOTE: Winch fitment should be done at this point, refer to the winch manufacturers fitting instructions.



ISUZU NPS 300 4x4 2024 ON

STAGE 12 - BULLBAR FITMENT

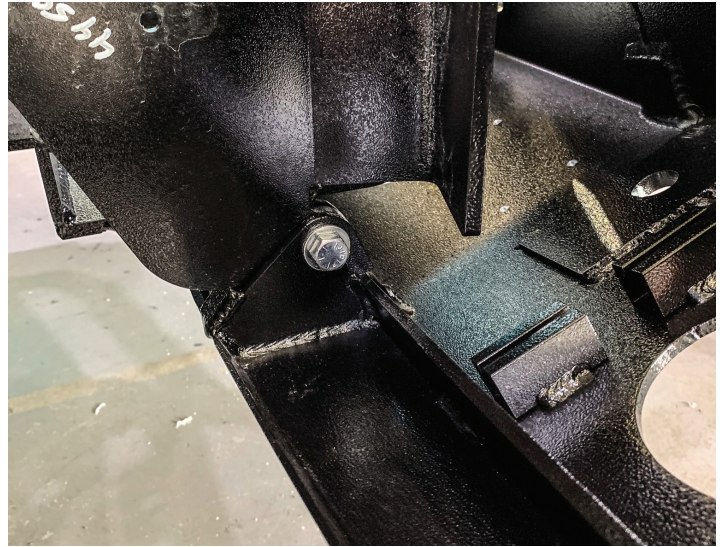
Fit indicator/ park lights to Protection Bar as per instructions in the box.

Fit the Bullbar to the chassis mounts, fasten lightly using the eye bolts.

Align the hinge mounts and fasten using 9/16" x 2-1/2" UNC hinge bolts, flat, spring and Nyloc nuts.

Tighten the hinge bolts until the nut and washer touch the alloy only.

NOTE: Do not over tighten hinge bolts. Bolts need to touch alloy only.



STAGE 13 - TOW PINS/ NUMBER PLATE HINGE

Connect the indicator extension harnesses to the Bullbar indicators.

Rotate the Bullbar up and fasten using the eye bolts.
Fully tighten the eye bolts.

Install tow pins.

Using M6 x 1.0 x 20mm Hex bolts, M6 flat washers and M6 Nyloc nuts fasten the hinged number plate bracket to the front face of the Bullbar directly above the fair lead cutout.

Check that all fasteners are fully tightened.

Check the operation of all lights.



FINAL CHECKS

ENSURE NUMBER PLATE IS CLEARLY VISIBLE

Note: When fitting/refitting the licence plate to the vehicle, ensure there is no obstruction to licence plate vision in accordance with local authorities. If required relocate licence plate to an alternate location.

FURTHER VFPS NOTES

1. Do not attach VFPS to the vehicle using anchorages not intended for this purpose (e.g. engine mounting bolts)
2. Do not use this product for any vehicle make or model, other than those specified by the VFPS manufacturer
3. Do not remove the plaque or label from the VFPS
4. Do not modify the structure of the VFPS in any way
5. No accessory or fitment should project forward of the VFPS forward profile

IMPORTANT INFORMATION

Periodically check bolts and nuts for correct tightness, especially if traveling on rough roads.



1800 069 145
WWW.ECB.COM.AU
29 SNOOK ST CLONTARF, QLD 4019

REPLACES: N/A
REVISED: 18.11.24