



**WORLD'S BEST
ALLOY BULLBARS**

**Strongest Built
Australian Made
Lifetime Warranty**

PN:EAIZ76SY



Fitting Guide & Owners Manual

ISUZU D-MAX

06/20 on

Big Tube Bar with Bumper Lights
VEHICLE FRONTAL PROTECTION SYSTEM (VFPS)
FOR AIR BAG & ADR COMPLIANT VEHICLES



Index

Pages 3-5

ECB's Benefits
Product Care

Pages 6-7

Stage 1 - Vehicle Testing and Preparation
Stage 2 - Radiator Trim
Stage 3 - Grille Removal
Stage 4 to 6 - Bumper Removal

Pages 8-9

Stage 7 - Bumper Removal (Cont'd)
Stage 8 - Underbelly Guard Removal
Stage 9 - Bumper Reinforcement Removal
Stage 10 - Air Dam trim
Stage 11 - Chassis Preparation
Stage 12 - Steel mount fitment

Pages 10-11

Stage 13 - Bumper and Grille Trim
Stage 14 - Wiring harness Relocation/
Bumper Refitting
Stage 15 - Electrical wiring
Stage 16 - Indicator/ Park Light Fitment
Stage 17 - Clip Lock Trim Installation
Stage 18 - Protection Bar Installation

Pages 12-13

Stage 19 - Center Underbody gaurd
installation
Stage 20 - Refitment OE Underbelly guard
Stage 21 - Side Underbody gaurd
installation
Stage 22 - Bumper Light fitment
Stage 23 - Liner fit and trim

Pages 14-15

Final Checks & Fitting Kit
Finished Product

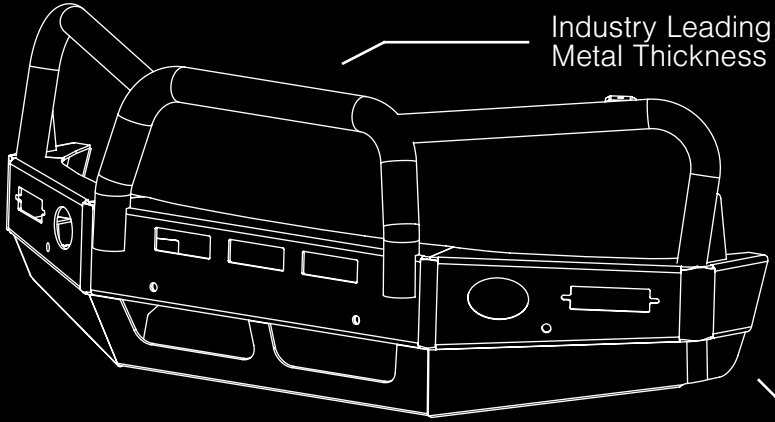
Pages 16-17

Warranty Registration

Pages 18-19

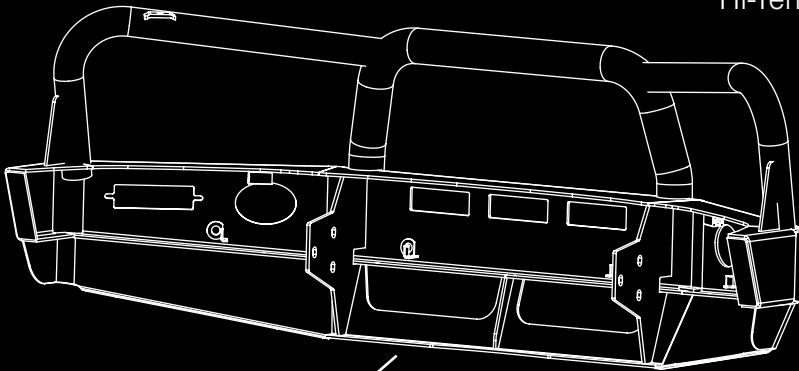
Notes

The Features of ECB



Industry Leading
Metal Thickness

6mm Thick
Hi-Tensile Alloy



Unmatched
Strength

Fully Welded
Construction

ECB's Benefits

Built to Perform - Not to a Price

ECB are proud to claim that their channels are not jigsaw puzzles that are bolted together, or even multiple sections welded together. Where any welding is required, it is done to the highest standards by qualified welders, not machines.

Anti-Corrosive Nature of Alloy

The composition of ECB's alloy has a very high resistance to corrosion. Rust not only looks unappealing but greatly reduces the strength of the metal. Rust can and will weaken the structural integrity of a steel bullbar effectively rendering it useless over time.

Australian Made

Established in 1971, we utilize decades of experience designing, engineering and building products in Australia to suit Australian conditions. We can ensure the best quality controls and help support the local economy and employ over 90 proud Australians.

Weight Saving Benefits

An ECB alloy bullbar is typically half the weight of a steel bullbar. Unnecessary suspension upgrades are not required. The reduced weight also contributes to increased fuel economy and less wear and tear on tyres, suspension and braking components.

Welds That Work

ECB uses only the strongest welds and welding techniques to ensure every product is as structurally sound as possible. MIG (Metal Inert Gas) welding techniques are employed ensuring the welds are as thick as the thickest section of alloy's being joined together.

Lifetime Warranty

ECB provide a lifetime warranty and consumer guarantee on all of our manufactured products. This guarantee highlights the confidence in our ability and provides complete peace of mind for your purchase for the lifetime you own your vehicle.

Product Care

Polished Products

Being a premium mirror polished finish, regular maintenance will be required to keep that iconic ECB shine. We recommend using our own brand of Aluminium Polish. This formula has been tried and tested and in our opinion is the world's best standard.

Directions: Apply a small quantity of Aluminium Polish to a clean soft cloth and rub the metal surface. The longer the rubbing the brighter the surface becomes. Wipe off Aluminium Polish with clean soft cloth. Also suitable for motorised buffing machines.

Note: There are more specific details on the polish bottle. Please read before use.

Powdercoated Products

Our powdercoated finishes are very low maintenance. Infact there is actually very little you will ever need to do for this product. Just clean it as you would your car and it will stay looking good as new.

ECB Aluminium Polish

When you're looking for that showroom finish look for your polished automotive products, you can depend on the no compromise quality of East Coast Bullbars Aluminium Polish. This specifically designed product is the best polish available and we guarantee that this \$#!+ works. Within our decades of manufacturing polished alloy products we have trialed a large range of different polishes on the market and believe without a doubt that nothing beats the finish quality of East Coast Bullbars Aluminium Polish.

East Coast Bullbars Aluminium Polish is excellent for use by hand and is ideal for polished bullbars, nudge bar and stainless steel products. This polish will clean, polish and protect your product from the elements whilst bringing your products back to that showroom finish look.



EAIZ76SY

Stage 1

- Test drive vehicle to ensure all driver assists are correctly working and to gauge effectiveness. Park on a flat level surface.
- Apply parking brake and lift bonnet.
- Unwrap ECB protection bar and disconnect mounts. Discard bolts.
- Ensure these instructions are left with the vehicle owner and/or operator.



Stage 2

- Remove ten (10) push/pull clips from top radiator trim and remove.



Stage 3

- Remove three (3) push/pull clips top of grille.
- Remove one (1) phillips head screw from center of grille.
- Lift up to unclip and remove top of grille.



Isuzu DMAX 6-20on

Stage 4

- Remove four (4) push/pull clips from top of bumper grille between headlights.



Stage 5

- Remove one (1) push/pull clip from rear wing (per/side).



Stage 6

- Remove one (1) 10mm head nut and two (2) push/pull clips from under side of bumper (per/side).



EAIZ76SY

Stage 7

- Unplug light wiring from passenger side
- Pull bumper out on rear wing to unclip from guard retainer.
- Pull bumper forward to unclip from light.
- Remove bumper from vehicle.



Stage 8

- Remove two (2) 14mm head bolts from rear of steel underbody guard.
- Loosen only three (3) front 14mm head bolts from guard.
- Slide underbelly guard forward to remove.



Stage 9

- Remove two (2) 14mm head bolts from end of chassis rail (per/side) and remove bumper reinforcement.
- Remove four bumper stiffener brackets. Six (6) 10mm head bolts.



Isuzu DMAX 6-20on

Stage 10

- Remove air dam and trim to fit around steel mount.
- Refit air dam using original equipment fixings.



Stage 11

- Enlarge inside hole in chassis rail to fit tube spacer.

Blow filings clear and treat all exposed metal with a rust inhibitor.



Stage 12

- Fit steel mounting bracket onto chassis rail using original bolts in front plate of chassis.
- Fit 40 x 40 washer plate, M10 x 100mm bolt, flat washers, tube spacer, spring washer and nut (supplied) in side hole of chassis rail (per/side).
- Align and centralise mount, and tighten all bolts.



EAIZ76SY

Stage 13

- Remove wiring harness and lights from bumper.
- Using paper masking tape, mask area to be cut to avoid damage.
- As printers vary, check measure template to ensure correct sizing.
- From this instruction, using sharp scissors, carefully cut out template.
- Mark and cut bumper using jigsaw, hack saw or similar.

CAUTION: Double check all marked lines before trimming.



- Cut grille under the third row.

Stage 14

- Relocate wiring harness onto bottom of bumper with cable ties (supplied).
- Refit bumper in the reverse step of 2 - 7.
- Trim bumper cut with 3mm clip lock (supplied).



Stage 15

- Splice ECB wiring harness into wiring harness behind headlight using cable locks (supplied). Ensure harness is clear of sharp edges and moving parts.
- Splice ECB bumper light wiring harness into wiring harness zip tie to bottom of bumper.



Pin	Colour	Use
3	Black	Ground
4	LT Green	DRL
5	Purple	Park

Pin	Colour	Use
1	Blue	Indicator
2	Black	Ground

Isuzu DMAX 6-20on

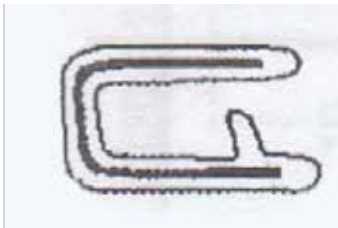
Stage 16

- Fit ECB LED indicator / park lights into protection bar as per instructions supplied with the LED indicator kit.
NOTE: Ensure park light is to top.



Stage 17

- Attach 6mm clip lock trim (supplied) to top of ECB protection bar. NOTE: Trim off lower edge on an angle so trim will sit flush with end of protection bar.



Stage 18

- Fit protection bar to steel mount with four (4) M12 x 1.75 x 40mm bolts, flat washers, spring washers and nuts (per/ side).
- Connect indicator lights and check for correct operation. Secure wiring and ensure harness is clear of sharp edges and moving parts.



EAIZ76SY

Stage 19

- Fit center under body guard with three (3) M6 x 25 bolts, flat washers and nyloc nuts (supplied) in front holes.
- Fit three (3) M10 x 1.25 x 40mm bolts, spring washers, flat washers (supplied) in rear hole slots. (Loose only at this stage).



Stage 20

- Refit original equipment underbelly guard to the rear holes in under body guard using original bolts.
- Tighten all bolts.



Stage 21

- Fit side under body guards using three (3) M6 x 25 bolts, flat washers and nyloc nuts (supplied).
- Guard goes on upper side of channel lower leg.
- Access front bolts through bumper light hole.



Isuzu DMAX 6-20on

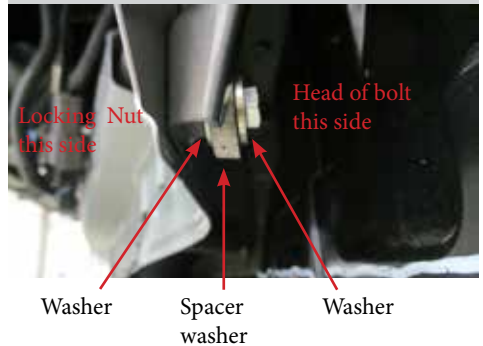
Stage 22

- Attach ECB bumper lights to protection bar. Place M6 x 20 bolts, spring washers (supplied) through light mount from inside and attach nut to top. Slide assembly into light mount in Protection bar and centralise light to hole. TIGHTEN FIRM ONLY.
- Install bumper light surrounds (supplied) to fog light openings. Large side of surround to inside of opening.
- Connect bumper lights and check for correct operation. Secure wiring and ensure harness is clear of sharp edges and moving parts.



Stage 23

- Mark and trim guard liner.
- Tuck liner behind end cap
- Fix liner to body with M6 x 35 bolt, spacer washer, flat washers and locknut (supplied). Do not overtighten as it will pull through the liner.
- Use lower cage nut with head of M6 bolt on liner side.



Final Checks & Installation Kit

Ensure Number Plate is Clearly Visible

Note: When fitting/refitting the licence plate to the vehicle, ensure there is no obstruction to licence plate vision in accordance with local authorities. If required relocate licence plate to an alternate location.

Further VFPS Notes

1. Do not attach VFPS to the vehicle using anchorages not intended for this purpose (e.g. engine mounting bolts).
2. Do not use this product for any vehicle make or model, other than those specified by the VFPS manufacturer.
3. Do not remove the plaque or label from the VFPS.
4. Do not modify the structure of the VFPS in any way.
5. No accessory or fitment should project forward of the VFPS forward profile.
6. **Ensure these instructions are left with the vehicle owner and/or operator.**

Important Information

Periodically check bolts and nuts for correct tightness, especially if traveling on rough roads.

Installation Kit

1 - Steel mounting bracket	2 - M6 x 35mm bolts
1 - Center underbelly guard	9 - M6 x 25mm bolts
2 - Side underbelly guards	2 - M6 x 20mm bolts
2 - 10 Nb spacer tube 53mm long	22 - M6 flat washers
2 - 40 x 40 steel washer plates	2 - M6 spring washer
2 - 26 x 8mm Alloy spacer washers	19 - M6 nyloc nuts
8 - M12 x 1.75 x 40mm bolts	4 - M6 nuts
16 - M12 flat washers	1 - LED Indicator / DRK / Park light kit
8 - M12 spring washers	10 - Cable locks
8 - M12 x 1.75 nuts	1 - Bumper light kit
2 - M10 x 1.5 x 100mm bolts	2 - Bumper light surrounds
3 - M10 x 1.25 x40mm bolts	10 - 300mm long cable tie
7 - M10 flat washers	1 - 2500mm length 6mm clip lock
5 - M10 spring washers	2 - 300mm length 3mm clip lock
2 - M10 x 1.5 nuts	

Finished Product



Warranty Registration

Contact Details

Name: _____

Address: _____

Product: _____

Email: _____

Phone: _____

Work Order Number: _____

You can find this on the silver label
of your ECB product.

By submitting this registration you automatically subscribe to ECB's mail outs.
You can unsubscribe at any time.

Register Online

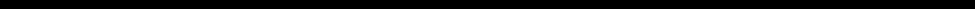
For online registration please go online to www.ecb.com.au/warranty-registration
If you have any questions please contact our national office on 1800 069 145 or
www.ecb.com.au.



PN: EAIZ76SY

**Please post to: PO Box 122,
Margate QLD 4019**

Notes

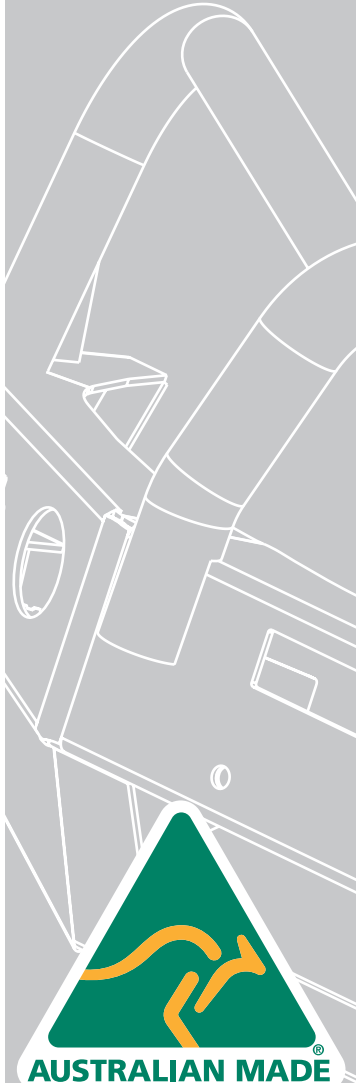


A series of 18 horizontal lines spaced evenly down the page, providing a template for writing notes.

 Full Name

 Date

REPLACES: N/A
REVISED: 03.12.20



1800 069 145
www.ecb.com.au

Strongest Built Australian Made Lifetime Warranty

29 Snook St, Clontarf QLD 4019
PO Box 122, Margate QLD 4019