

ALLOY NUDGE BAR TO SUIT TOYOTA

PRADO

250 SERIES



TO SUIT 2025 TOYOTA LANDCRUISER PRADO 250 SERIES

WHY CHOOSE AN ECB ALLOY NUDGE BAR

ECB Alloy Nudge Bars offer serious protection with a smarter, lighter design. Compared to traditional steel, our alloy construction helps reduce stress on your suspension, steering, and chassis without compromising on strength or style.

At ECB, safety is never an afterthought. Our engineers and designers work hand-in-hand to ensure every Nudge Bar integrates seamlessly with your vehicle's advanced safety systems. All ECB Nudge Bars are ADR compliant and rigorously tested for Airbag compatibility, giving you peace of mind wherever the road, or the trail takes you.

Designed with understated sophistication, ECB Nudge Bars are available in a polished or powdercoated finish and crafted to complement your vehicle's natural lines and the accessories you choose to enhance it.

KEY FEATURES

- ADR Compliant
- Airbag Compatible
- Steel Mounting System
- Hi-Tensile, Corrosion Resistant Alloy Tubing
- Light Bar Provision
- Won't affect new vehicle warranty
- Adds only 12kg to your vehicle

**ECB ALLOY WINCH BULLBAR ALSO
AVAILABLE FOR THIS VEHICLE**



TO SUIT 2025 TOYOTA LANDCRUISER PRADO



AUSTRALIAN MADE

Established in 1971, ECB utilises over 50 years of experience designing, engineering and manufacturing products in Australia for Australian conditions.

PRODUCT SPECIFICATIONS

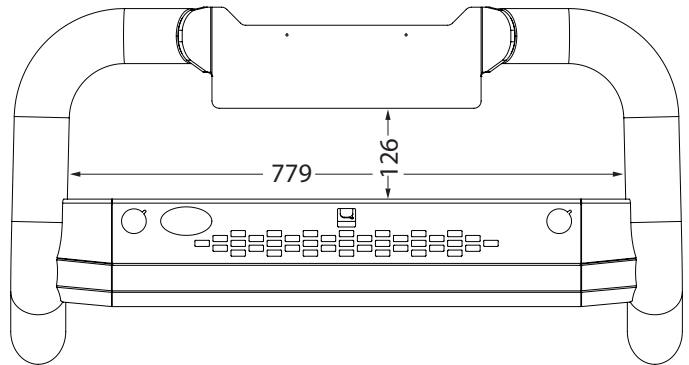
DIMENSIONS & WEIGHTS

Shoulder Pipe Thickness: 76mm x 4.75mm

Distance Added to Vehicle: 110mm

Bar Width: 921mm

Net Weight Added to Vehicle: 12kg



LIGHTS & ACCESSORIES

Accessory Tabs: N/A

Spotlight Height Allowance: N/A

Centre Hoop Clearance: 126mm

Spotlight Tab Distance to Vehicle: N/A

Max. Spotlight Weight: N/A

LIGHTS TEST FITTED TO THIS BAR

- NARVA EX2 20" Single Row Lightbar



TO SUIT 2025 TOYOTA LANDCRUISER PRADO

RESEARCH & DEVELOPMENT

ECB prides ourselves on developing our products right here in Australia, giving us a direct connection between the research and development that goes in to designing our products, and the manufacturing team delivering the finished product.

Modern ECB products are developed and tested utilising;

- 3D Scan Data
- CAD Design Tools
- FEA Testing
- Safety Tech Integration Testing
- Pendulum Crash Testing
- Real World Vibration Logging



FINISH OPTIONS

POLISHED

A highly reflective mirrored finish traditionally associated with an Alloy Bullbar.

TEXTURA BLACK

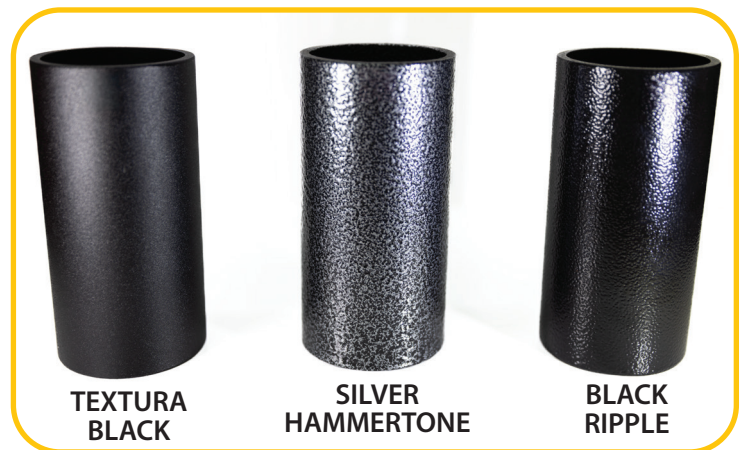
A fine textured matte black finish. This sleek but rugged finish is the modern day standard in bullbar finishes.

SILVER HAMMERTONE

Features a dimpled pattern that mimics the look of hammered or forged metal. This finish features a silver and black tone with a semi-gloss finish. This finish helps hide scratches, dents and other imperfections making it ideal for trucks and heavy use commercial vehicles.

BLACK RIPPLE

Features a glossy black presentation with a wave like ripple texture that sits mid way between the Textura Black and Silver Hammertone. Ideal for vehicles with gloss black accents.



WARRANTY

ECB Nudge Bars come with a Lifetime Warranty, giving you the peace of mind that your Nudge Bar will be free of structural defects in both the materials and workmanship. For full details on ECB's Product Warranty & Consumer Guarantees visit ecb.com.au/warranty-information